



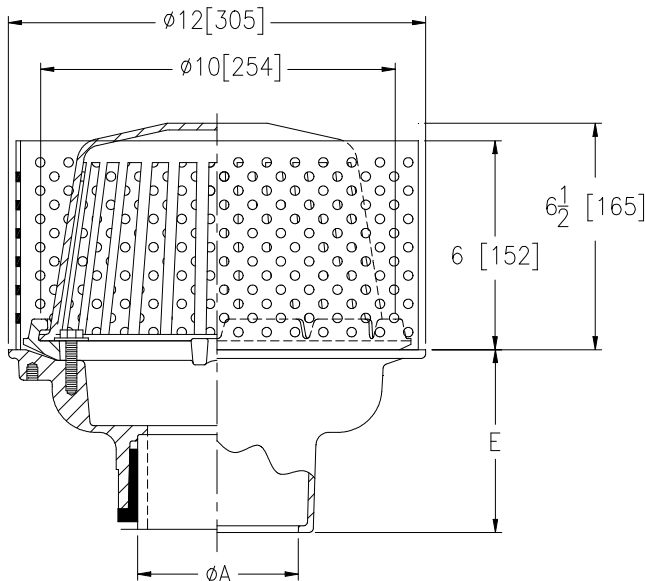
**Z-121-84**  
**12" [305] DIAMETER ROOF DRAIN**

**SPECIFICATION SHEET**

**TAG** \_\_\_\_\_



Dimensional Data (inches and [mm]) are Subject to Manufacturing Tolerances and Change Without Notice



A Pipe Size Inches / [mm]	Approx. Wt. Lbs. / [kg]	Dome Open Area Sq. In. / [sq cm]
2-3-4 [51-76-102]	22 [10]	78 [503]
5-6 [127-152]		

**ENGINEERING SPECIFICATION:** ZURN Z-121-84 12" [305] diameter roof drain. Dura-Coated cast iron body with combination membrane flashing clamp/gravel guard, 6" [152] high stainless steel drainage grid and Poly-Dome.

**OPTIONS** (Check/specify appropriate options)

**PIPE SIZE**

- 2 thru 6 [50 thru 150]
- 2 thru 6 [50 thru 150]
- 2 thru 6 [50 thru 150]
- 2,3,4 [50,75,100]

(Specify size/type) **OUTLET**

- \_\_\_\_\_ IC Inside Caulk
- \_\_\_\_\_ IP Threaded
- \_\_\_\_\_ NH No-Hub
- \_\_\_\_\_ NL Neo-Loc

**E BODY HT. DIM.**

- 5 1/4 [133]
- 3 3/4 [95]
- 5 1/4 [133]
- 4 5/8 [117]

**PREFIXES**

- \_\_\_\_\_ Z- D.C.C.I. Body with Poly-Dome\*
- \_\_\_\_\_ ZA- D.C.C.I. Body with Aluminum Dome
- \_\_\_\_\_ ZC- D.C.C.I. Body with Cast Iron Dome

**SUFFIXES**

- \_\_\_\_\_ -A Waterproof Flange
- \_\_\_\_\_ -AR Acid Resistant Epoxy Coated Finish
- \_\_\_\_\_ -C Underdeck Clamp
- \_\_\_\_\_ -DP Roof Deck Plate (Replaces both the -C and -R)
- \_\_\_\_\_ -E Static Extension 1 [25] thru 4 [102] (Specify Ht.)
- \_\_\_\_\_ -EB Elevating Body Plate
- \_\_\_\_\_ -ES Static Extension with Secondary Clamp Collar at Body (For clamping at roof drain body)
- \_\_\_\_\_ -FG Flush Grate
- \_\_\_\_\_ -G Galvanized Cast Iron
- \_\_\_\_\_ -R Roof Sump Receiver
- \_\_\_\_\_ -SSM Stainless Steel Mesh Screen Over Dome
- \_\_\_\_\_ -VP Vandal Proof Secured Top
- \_\_\_\_\_ -85 Stainless Steel Perforated Extension
- \_\_\_\_\_ -89 2 [51] High External Water Dam
- \_\_\_\_\_ -90 90° Threaded Side Outlet Body

\*REGULARLY FURNISHED UNLESS OTHERWISE SPECIFIED

<b>REV.</b>	<b>DATE: 09/20/02</b>	<b>C.N. NO. 89014</b>
<b>DWG. NO. 63870</b>	<b>PRODUCT NO. Z-121-84</b>	