



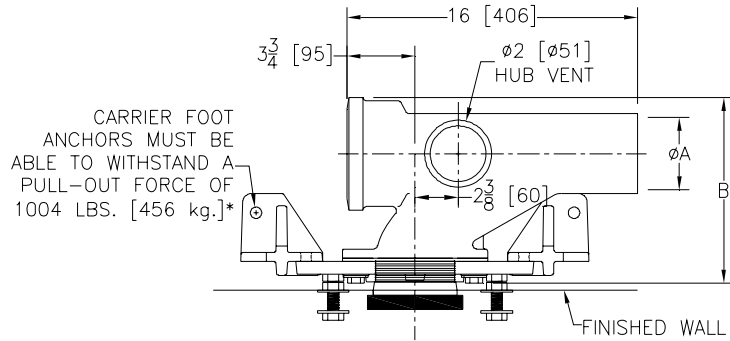
ZN1203-H

ADJUSTABLE HORIZONTAL SIPHON JET HUB NARROW WALL SYSTEM

SPECIFICATION SHEET

TAG _____

Dimensional Data (inches and [mm]) are Subject to Manufacturing Tolerances and Change Without Notice

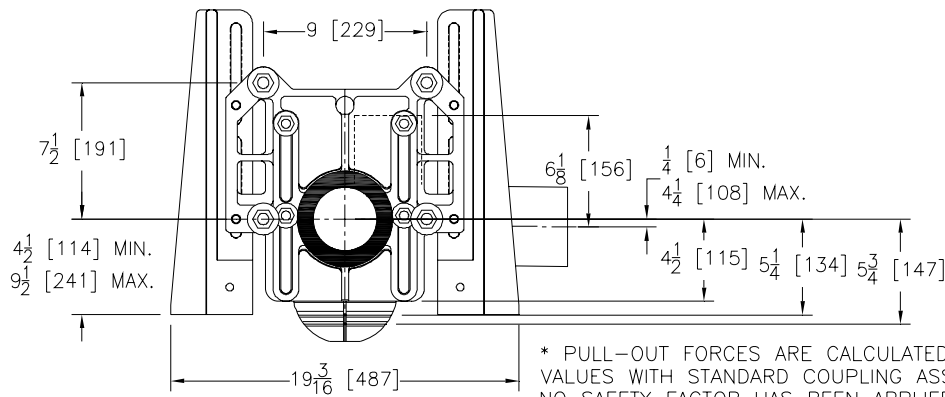


Product Number	A	B	Approx. Wt. Lbs. [kg.]
ZN1203-HL4	4 [102]	10 1/4 [260]	87 [39]
ZN1203-HR4	4 [102]	10 1/4 [260]	87 [39]
ZN1203-HL5	5 [127]	10 11/16 [271]	91 [41]
ZN1203-HR5	5 [127]	10 11/16 [271]	91 [41]

Note:

1. Feet bolted to floor using anchors capable of achieving the specified pull-out force.

PATENT
PENDING



ENGINEERING SPECIFICATION: ZURN ZN1203-H () Narrow Wall Adjustable, horizontal siphon jet water closet "Rigid System" with Hub connections. Complete with Dura-Coated cast iron right hand or left hand main fitting, with 2 [51] vent, adjustable gasketed chase saver face plate, floor mounted foot supports, corrosion resistant ABS coupling with integral test cap, fixture bolts, trim, stud protectors, and bonded "Neo-Seal" gasket. Carrier complies with all applicable requirements of ASME A112.6.1M up to a 300-Lb. [136-kg.] load.

OPTIONS (Check/specify appropriate options)

- _____ ZN1203-HR4 4 [102] Hub Right Hand Inlet with Flow to Left for Narrow Wall
- _____ ZN1203-HL4 4 [102] Hub Left Hand Inlet with Flow to Right for Narrow Wall
- _____ ZN1203-HR5 5 [127] Hub Right Hand Inlet with Flow to Left for Narrow Wall
- _____ ZN1203-HL5 5 [127] Hub Left Hand Inlet with Flow to Right for Narrow Wall

PREFIXES

- _____ Z D.C.C.I. System with Zurn "ZZ" Adjustable Coupling*
- _____ ZQ D.C.C.I. System with N.P.T. Faceplate, Non-Adjustable Coupling

SUFFIXES

- _____ -G Galvanized Cast Iron
- _____ -T Threaded Connection
- _____ -VP Vandal-Proof Trim
- _____ -50 Flush Valve Supply Support for Water Closets
- _____ -61 "ZZ" Coupling Wrench

REV.	DATE: 2/20/09	C.N. NO. 99716
DWG. NO. 84108	PRODUCT NO. ZN1203-H4	

*REGULARLY FURNISHED UNLESS OTHERWISE SPECIFIED