



Z121-SSM

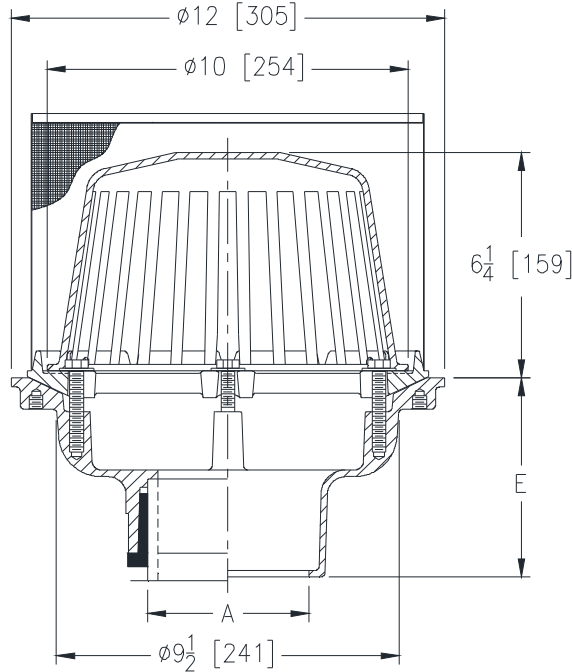
SPECIFICATION SHEET

12 [305] DIAMETER ROOF DRAIN WITH STAINLESS STEEL MESH SCREEN OVER DOME

TAG _____



Dimensional Data (inches and [mm]) are Subject to Manufacturing Tolerances and Change Without Notice



A Pipe Size Inches / [mm]	Approx. Wt. Lbs. / [kg]	Dome Open Area Sq. In. / [sq cm]
2-3-4 [51-76-102]	22 [10]	78 [503]
5-6 [127-152]		

ENGINEERING SPECIFICATION: ZURN Z121-SSM

12 [305] diameter roof drain. Dura-Coated cast iron body with combination membrane flashing clamp/gravel guard and Poly-Dome with stainless steel mesh.

OPTIONS (Check/specify appropriate options)

PIPE SIZE

- 2 thru 6 [51 thru 152]
- 2 thru 6 [51 thru 152]
- 2 thru 6 [51 thru 152]
- 2,3,4 [51,76,102]

(Specify size/type) OUTLET

- _____ IC Inside Caulk
- _____ IP Threaded
- _____ NH No-Hub
- _____ NL Neo-Loc

E BODY HT. DIM.

- 5-1/4 [133]
- 3-3/4 [95]
- 5-1/4 [133]
- 4-5/8 [117]

PREFIXES

- _____ Z D.C.C.I. Body with Poly-Dome*
- _____ ZA D.C.C.I. Body with Aluminum Dome
- _____ ZC D.C.C.I. Body with Cast Iron Dome
- _____ ZRB D.C.C.I. Body with Plain Bronze Dome

SUFFIXES

- | | |
|---|--|
| _____ -A Waterproof Flange | _____ -R Roof Sump Receiver |
| _____ -AR Acid Resistant Epoxy Coated Finish | _____ -SC Secondary Clamp Collar |
| _____ -C Underdeck Clamp | _____ -SE 3-3/8 [86] Slotted Extension |
| _____ -DP Top Set® Roof Deck Plate
(Replaces both the -C and -R) | _____ -TC Neo-Loc Test Cap Gasket
(2 [51] to 4 [102] NL Bottom Outlet Only) |
| _____ -DR Adjustable Drain Riser Extension Assembly
3-5/8 [92] to 7-1/4 [184] | _____ -VP Vandal-Proof Secured Top |
| _____ -E Static Extension 1 [25] thru 4 [102] (Specify Ht.) | _____ -XJ Vertical Expansion Joint (See Z190) |
| _____ -EB Top Set® Elevating Body Plate | _____ -84 Stainless Steel Perforated Gravel Guard |
| _____ -ES Static Extension with Secondary Clamp Collar at
Body (For clamping at roof drain body) | _____ -85 Stainless Steel Perforated Extension |
| _____ -G Galvanized Cast Iron | _____ -89 2 [51] High External Water Dam |
| | _____ -90 90° Threaded Side Outlet Body |

REV. DATE: 09/03/13 C.N. NO. 129876

PROD./DWG. NO. Z121-SSM

*REGULARLY FURNISHED UNLESS OTHERWISE SPECIFIED