



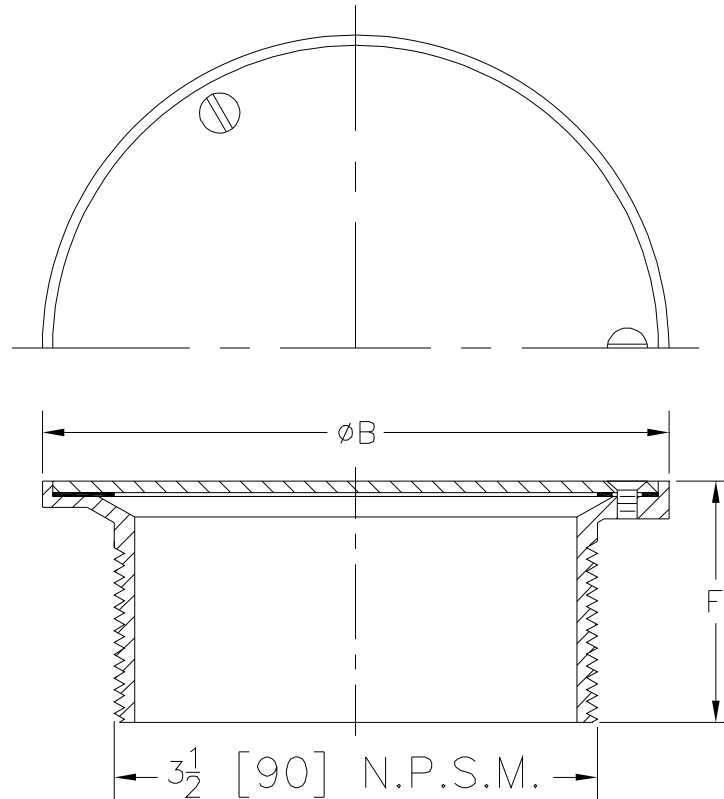
Z400B-SG

"TYPE B" ROUND TOP W/ SOLID GASKETED COVER

SPECIFICATION SHEET

TAG _____

Dimensional Data (inches and [mm]) are Subject to Manufacturing Tolerances and Change Without Notice



Strainer Designation	Dimension in In [mm]		Approx. Wt. Lbs. [kg]
	Size B	Height F	
-5B	5 [127]	2 [51]	2 [1]
-6B	6 [152]	2-1/4 [57]	3 [1]
-7B	7 [178]	2-5/8 [67]	4 [2]
-8B	8 [203]	2-5/8 [67]	5 [2]
-10B	10 [254]	3 [76]	13 [6]

ENGINEERING SPECIFICATION: ZURN Z() 400B-SG "TYPE B" round adjustable light duty head with solid gasketed secured cover. (Specify ZB or ZN finish)

OPTIONS (Check/specify appropriate options)

PREFIXES

- ___ ZB Polished Bronze Top
- ___ ZN Polished Nickel Bronze Top w/Stainless Steel cover

SUFFIXES

- ___ -CP Chrome Plated Bronze Top
- ___ -PC Protective Cover
- ___ -V Backwater Valve (Not Available with -Y)
- ___ -VP Vandal-Proof Secured Top
- ___ -Y Sediment Bucket

* Regularly furnished unless otherwise specified.